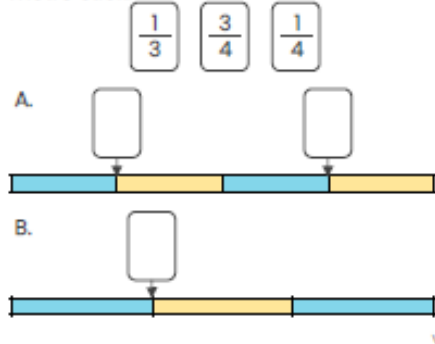


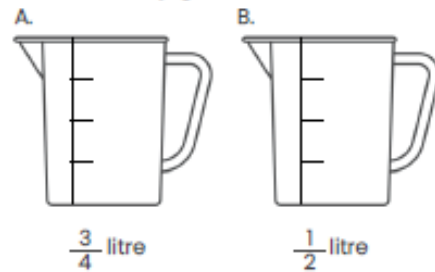


**Year 3 Maths Homework**

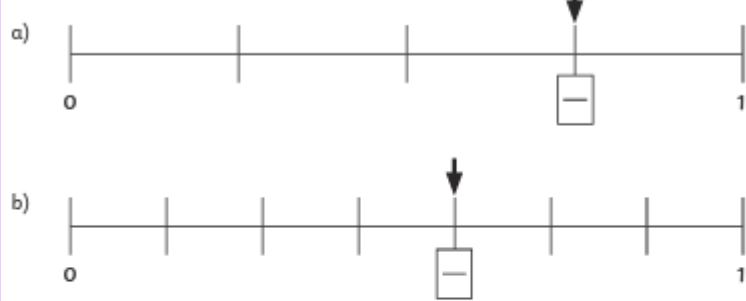
1a. Enter each fraction on the correct metre stick.



2a. Draw a line to show the water level on each 1 litre jug.



What fraction are the arrows pointing at? Count how many equal parts the whole has been divided into.



Draw an arrow to show approximately where  $\frac{2}{3}$  is on the number line. Divide the whole into 3 equal parts.

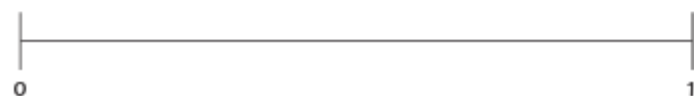


How tall is the plant? Write your answer as a fraction of a metre.

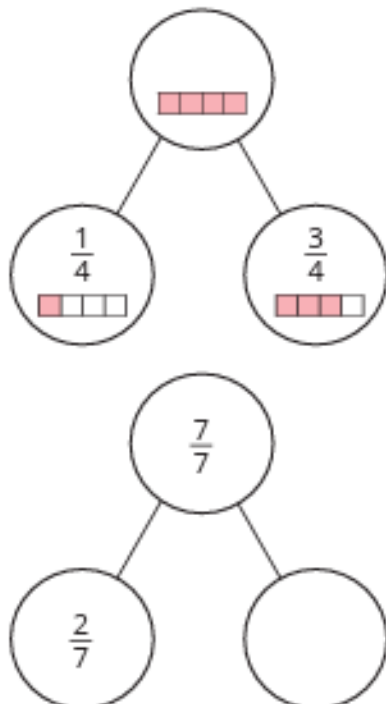
The plant is  m tall.



Which is greater,  $\frac{2}{4}$  or  $\frac{2}{3}$ ? Use the number line to help you. Explain your answer.



Complete the part-whole models



$3 \times 7 = \underline{\hspace{2cm}}$

$253 + 109 = \underline{\hspace{2cm}}$